

# Bells On Time – Hardware Installer Manual

RCL Technologies™

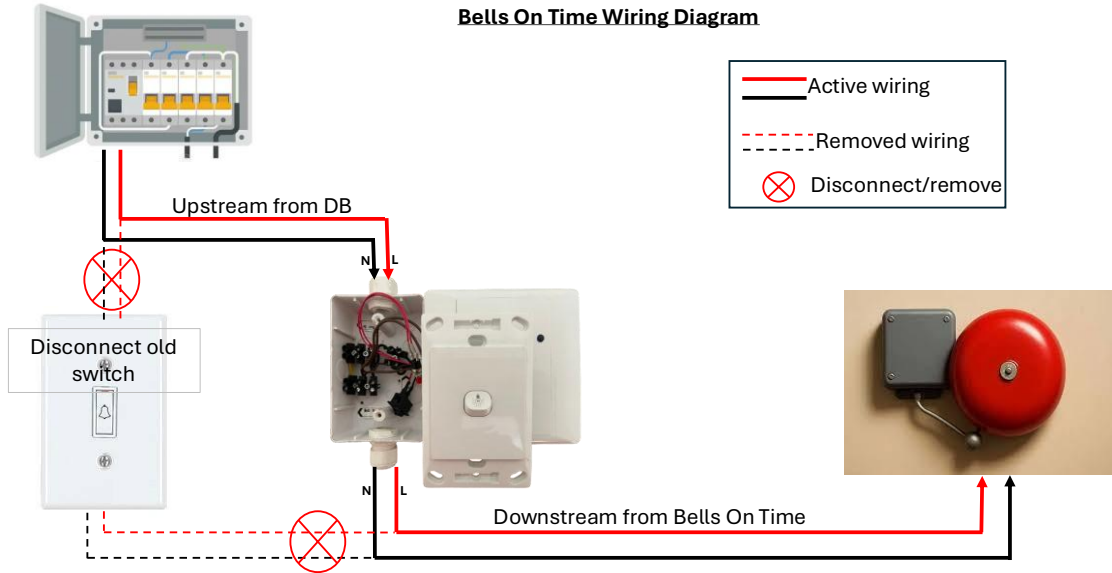


Figure 1: Bells On Time system wiring diagram.

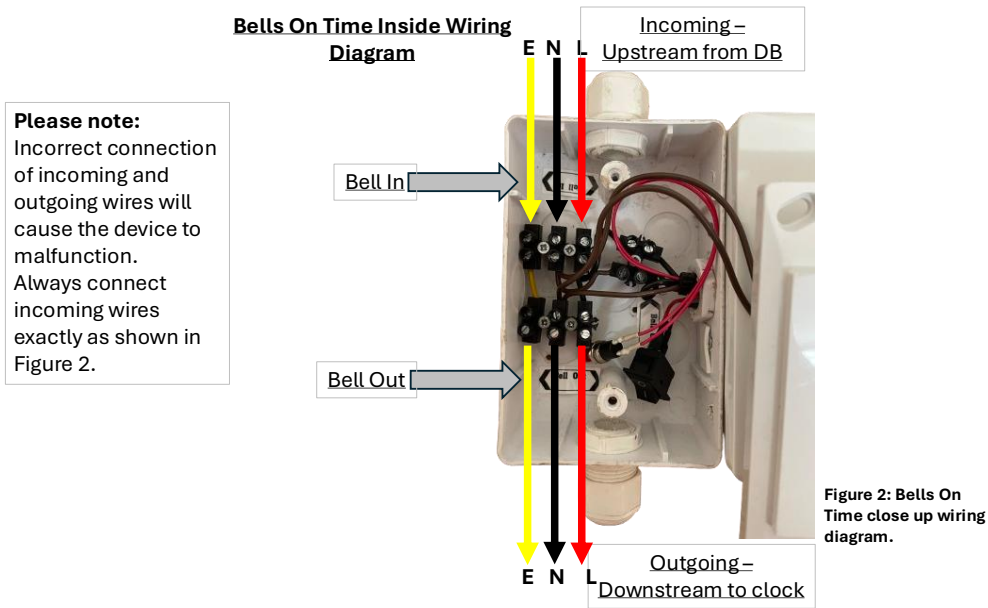


Figure 2: Bells On Time close up wiring diagram.

## Installation Steps

Refer to Figure 1 and Figure 2 during installation.

1. Switch off power at the DB
2. Remove existing switch and disconnect wiring
3. Identify and label wires before disconnecting:
  - Incoming (from DB)
  - Outgoing (to bell/clock)
4. Connect:
  - Incoming → **Bell In (device input)**
  - Outgoing → **Bell Out (device output)**
5. Verify wiring matches Figure 1 and Figure 2
6. Restore power and test

### IMPORTANT

Incorrect connection of incoming and outgoing wires will cause the device to malfunction. Incoming wires from DB must be connected to the **Bell In** label. Outgoing wires to the bell must be connected to the **Bell Out** label.

Always connect incoming wires exactly as shown in Figure 2.

For more information visit: <https://www.rcl.za.net/bellsontime/>